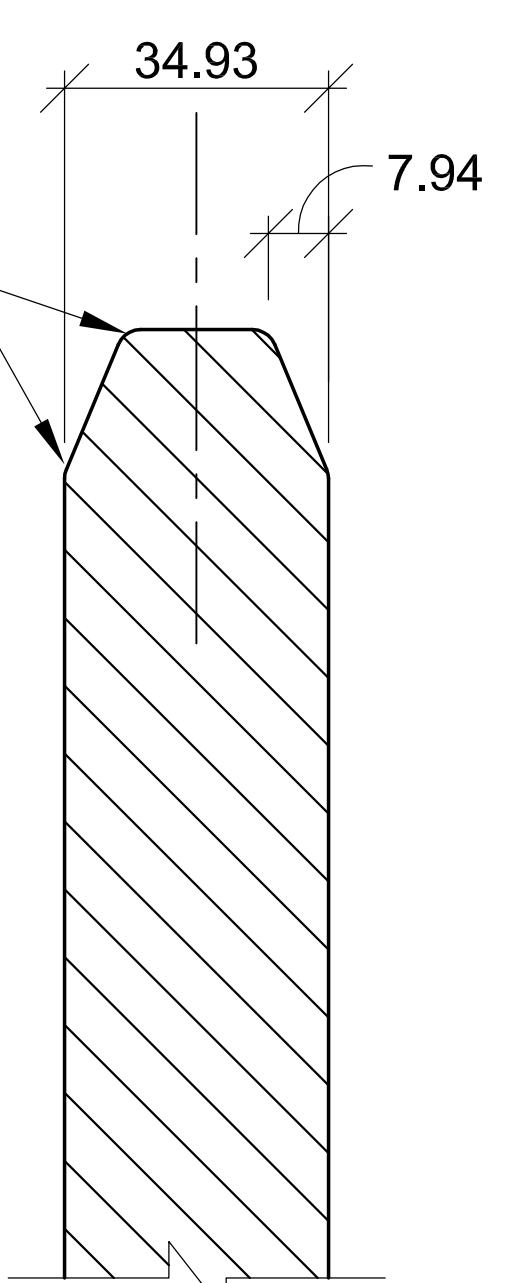


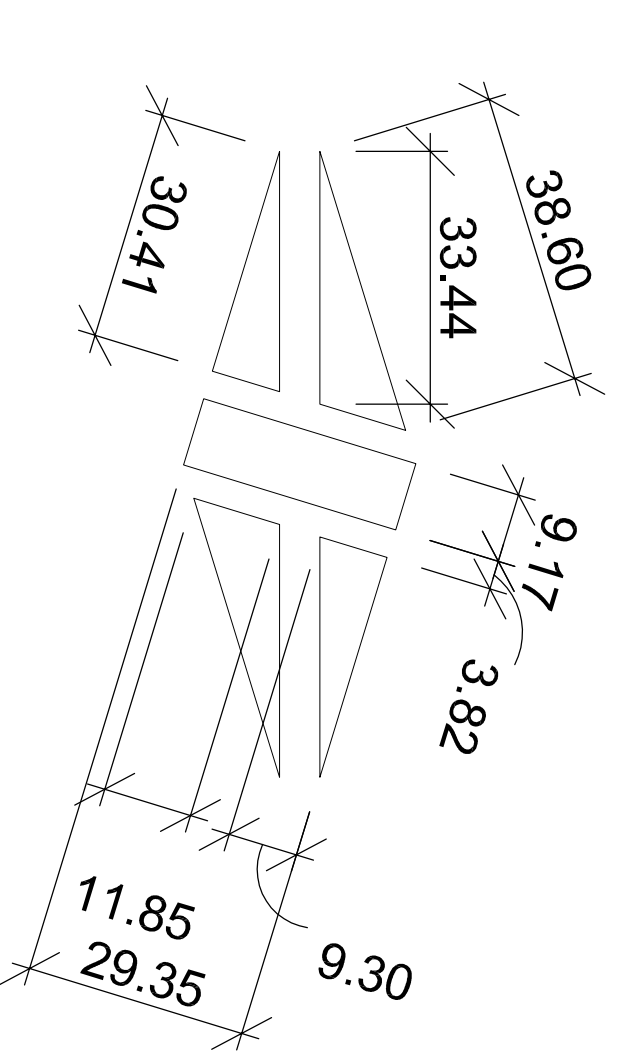
SIDE ELEVATION



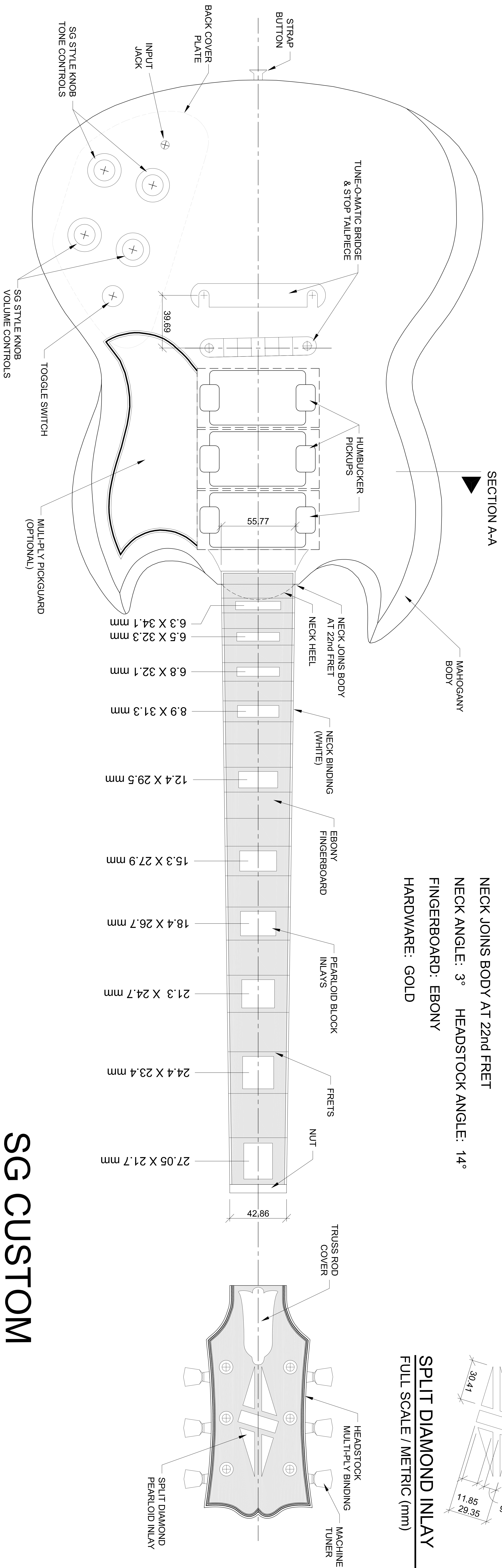
SECTION A-A

SPECIFICATIONS

- SCALE LENGTH: 628.6 mm [24.75 in]
- NUT WIDTH: 42.86 mm [1.6875 in]
- BODY: MAHOGANY
- NECK: MAHOGANY
- NECK JOINS BODY AT 22nd FRET
- NECK ANGLE: 3° HEADSTOCK ANGLE: 14°
- FINGERBOARD: EBONY
- HARDWARE: GOLD

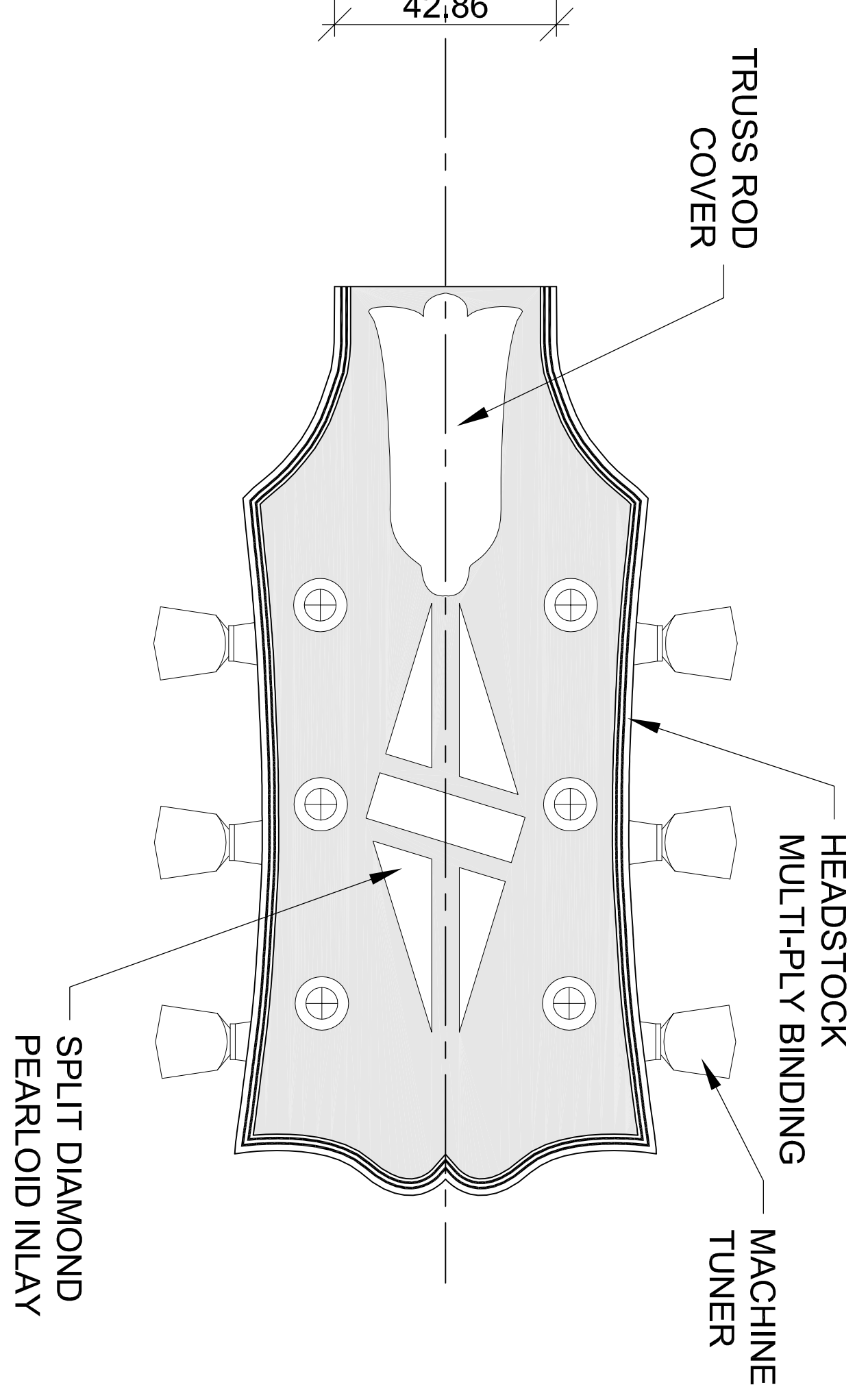


SPLIT DIAMOND INLAY
FULL SCALE / METRIC (mm)



PLAN

- 6.3 X 34.1 mm
- 6.5 X 32.3 mm
- 6.8 X 32.1 mm
- 8.9 X 31.3 mm
- 12.4 X 29.5 mm
- 15.3 X 27.9 mm
- 18.4 X 26.7 mm
- 21.3 X 24.7 mm
- 24.4 X 23.4 mm
- 27.05 X 21.7 mm



SG CUSTOM
FULL SCALE / METRIC (mm)

diablo-guitars.blogspot.com